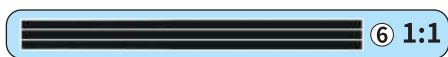
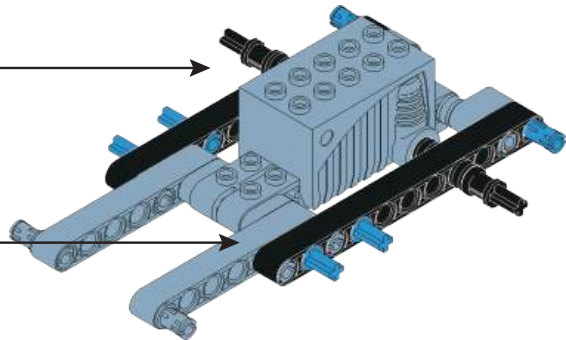
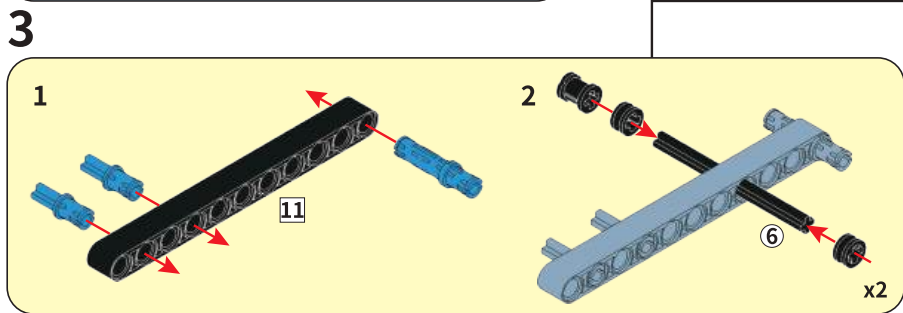
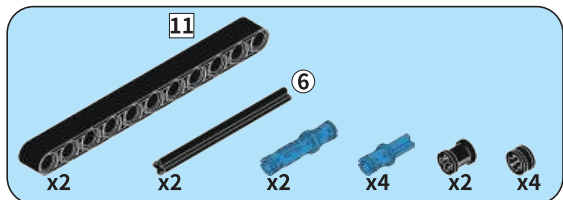
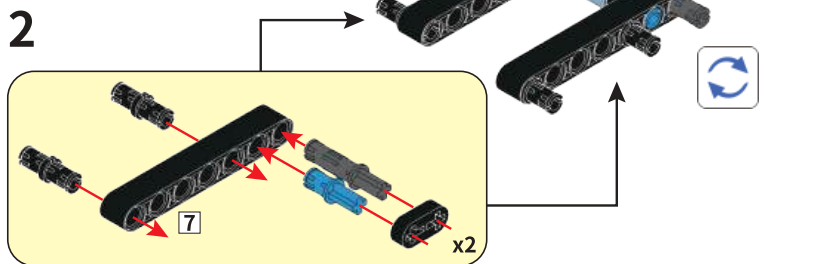
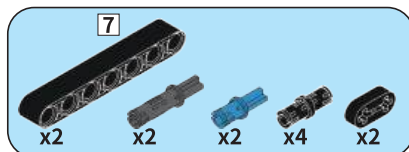
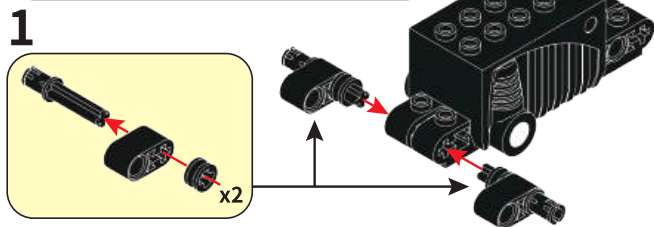
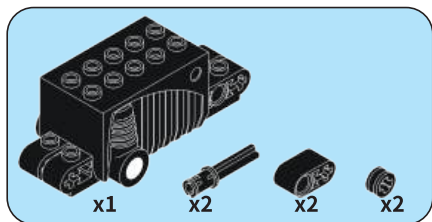
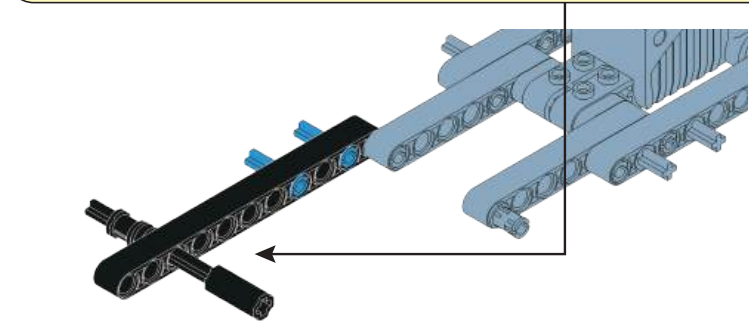
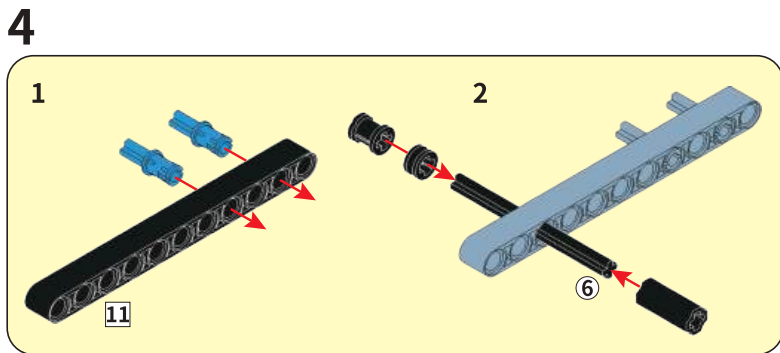
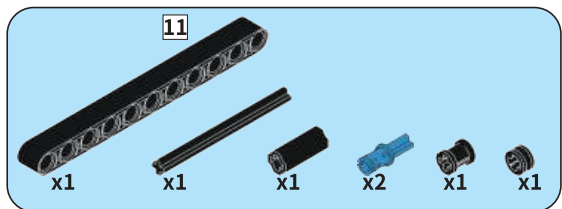


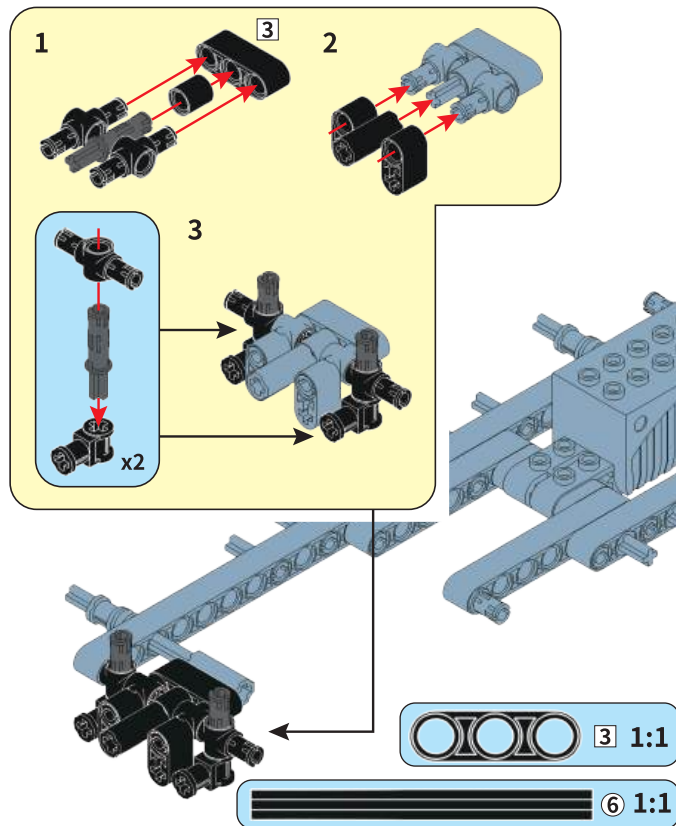
MACHINE PLAYER

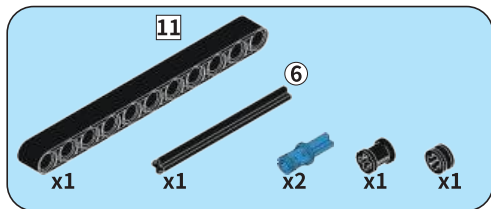




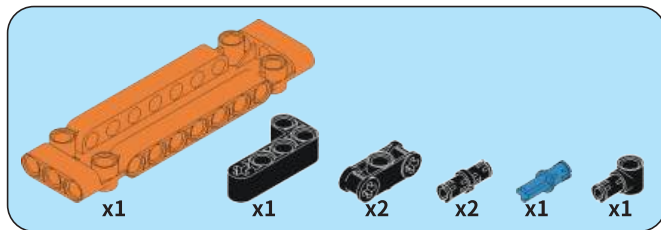
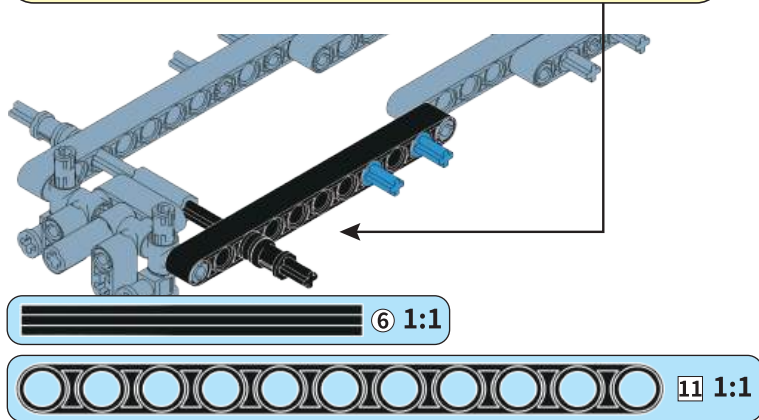
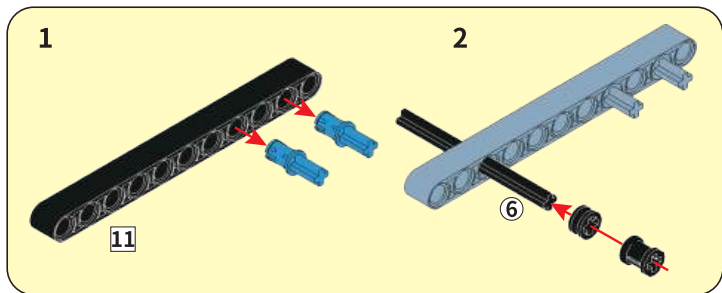


5

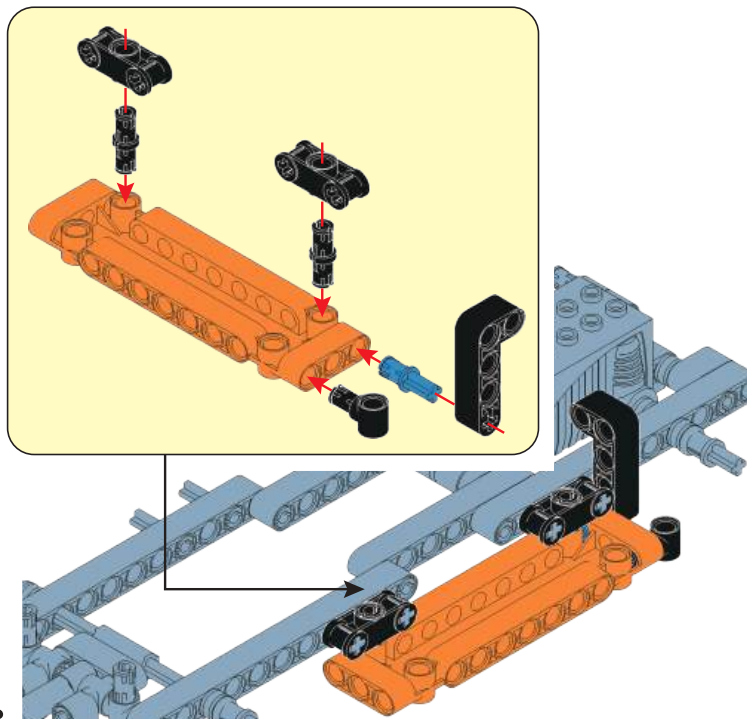


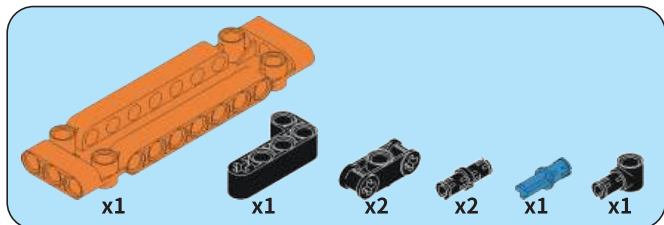


6

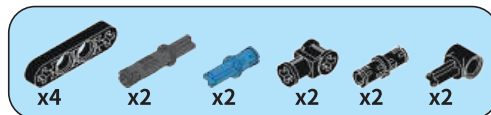
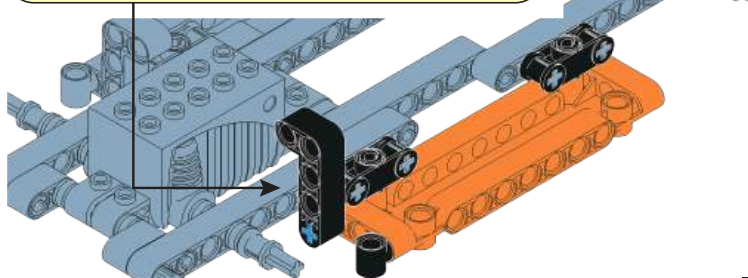
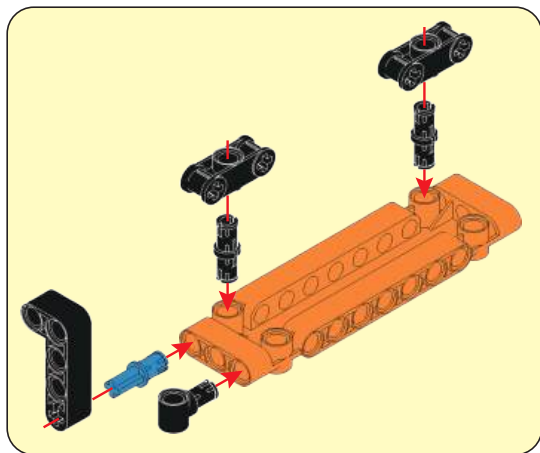


7

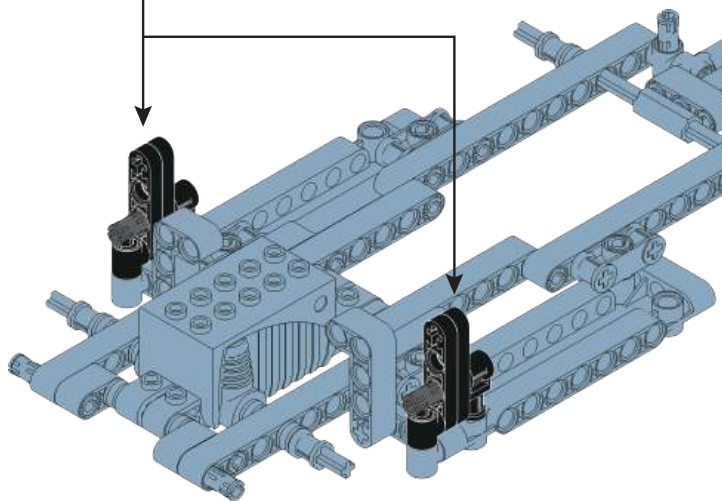
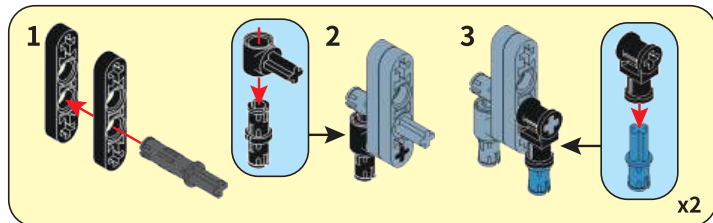


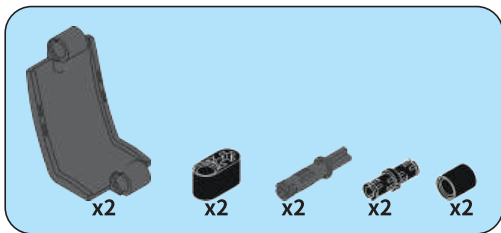


8

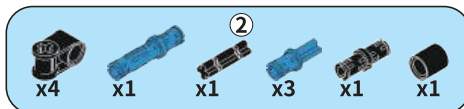
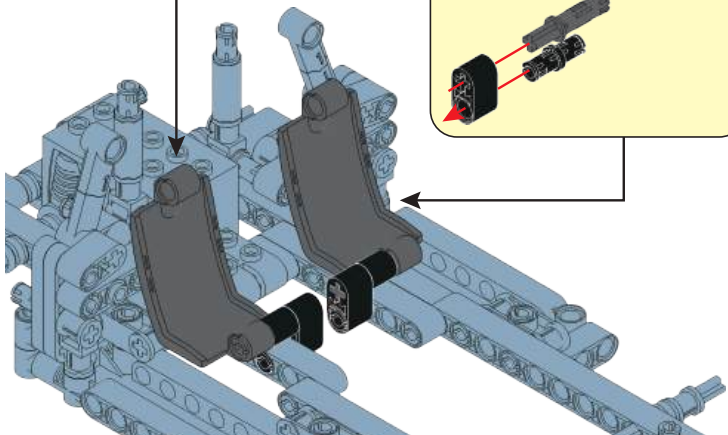
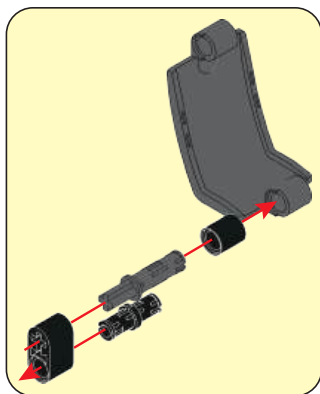
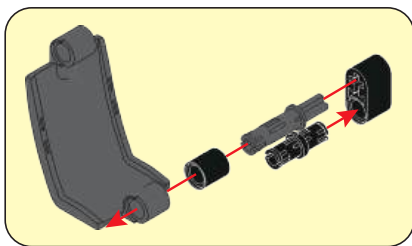


9

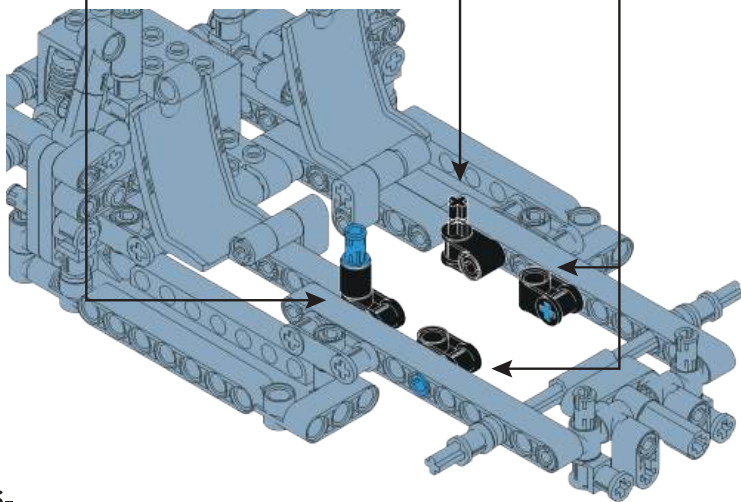
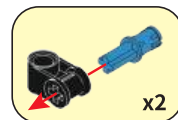
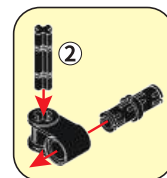
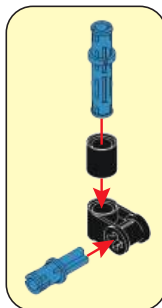


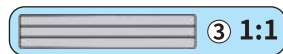
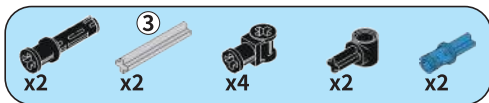


11

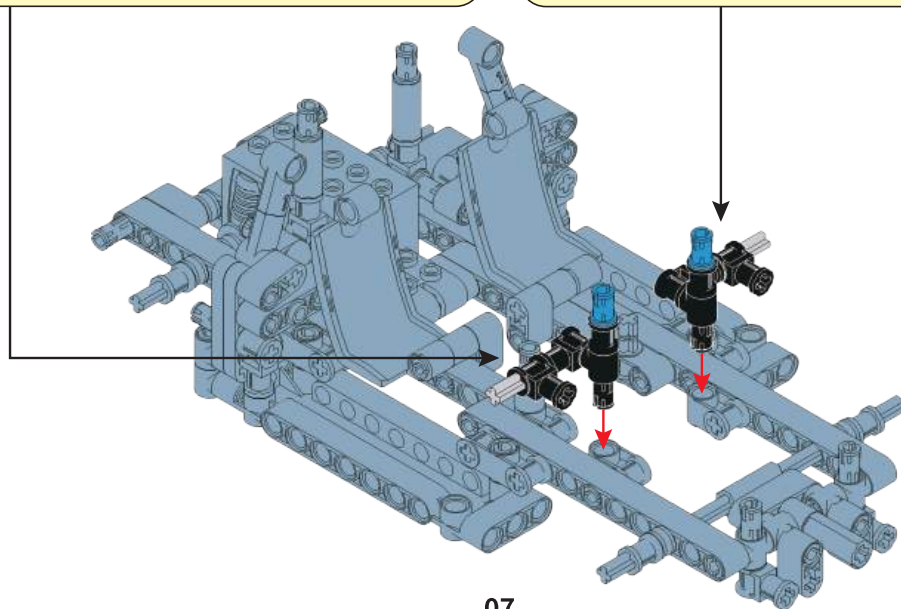
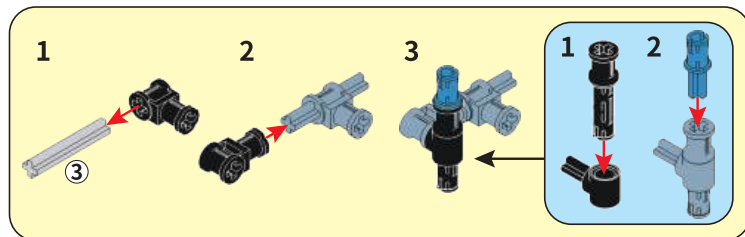
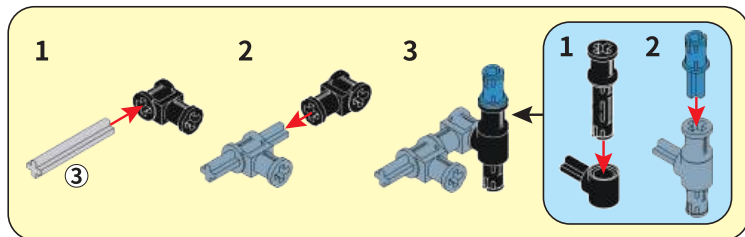


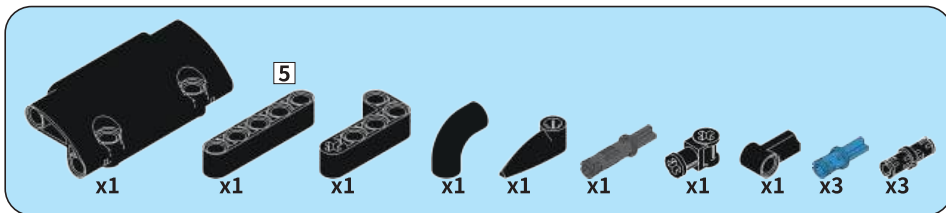
12



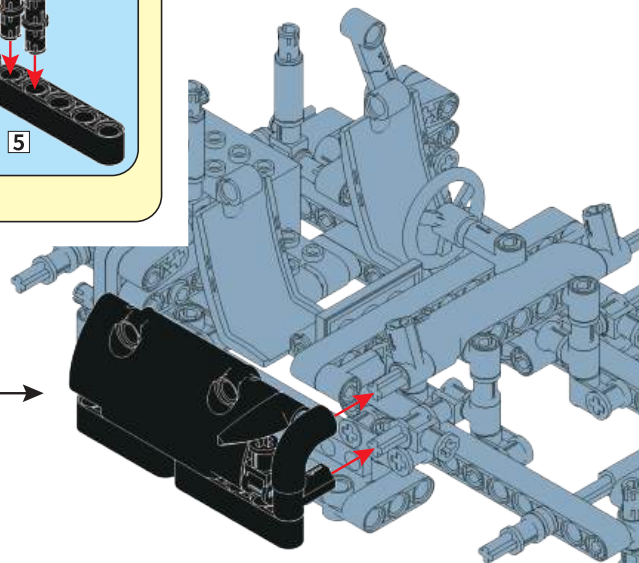
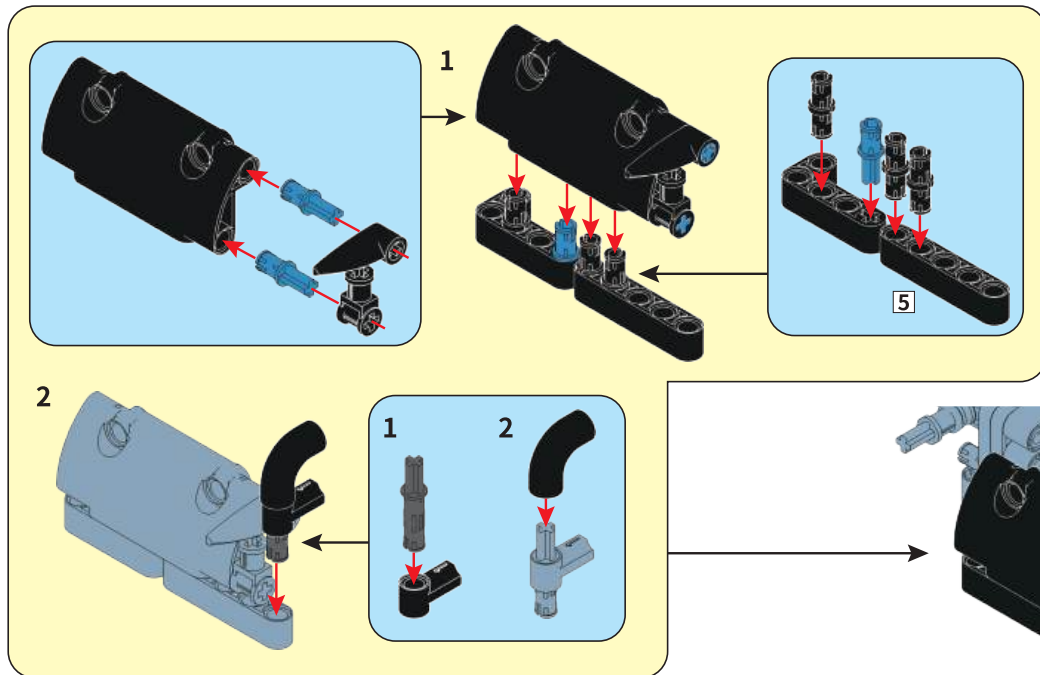


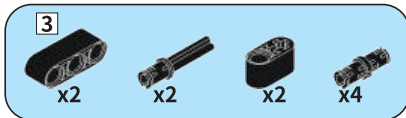
13



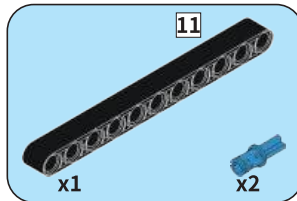
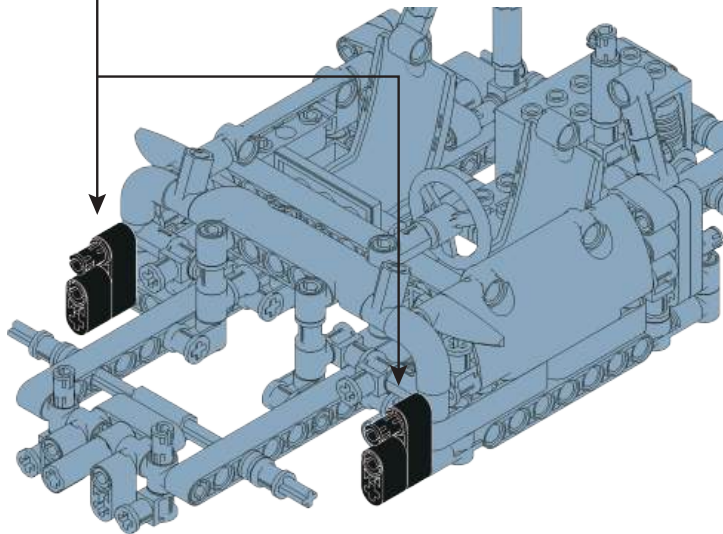
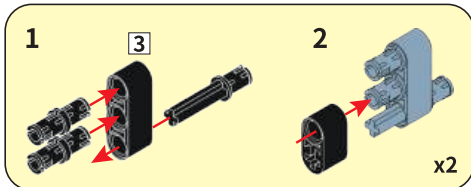


15

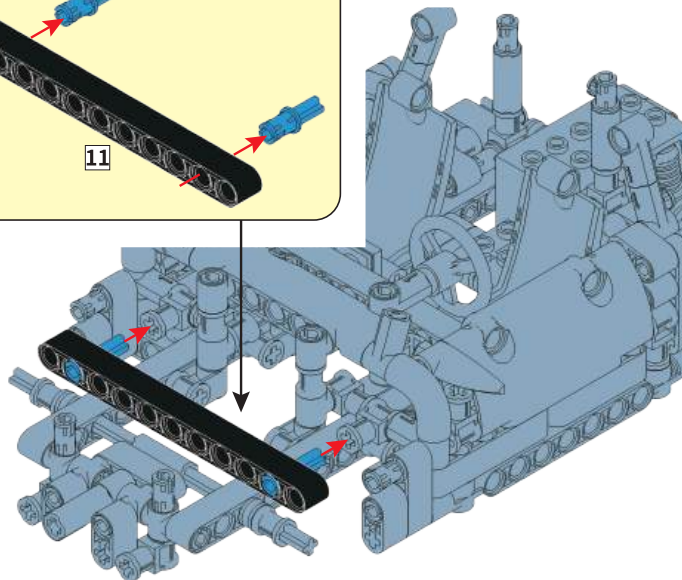
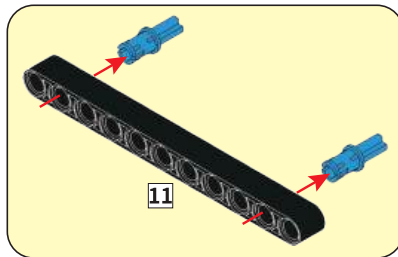


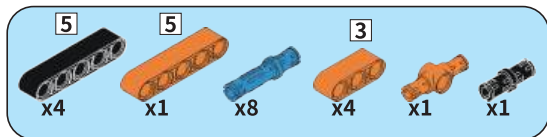


17

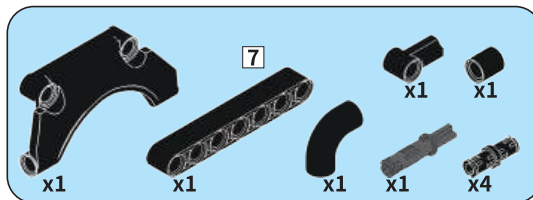
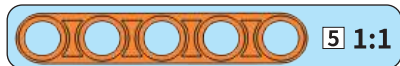
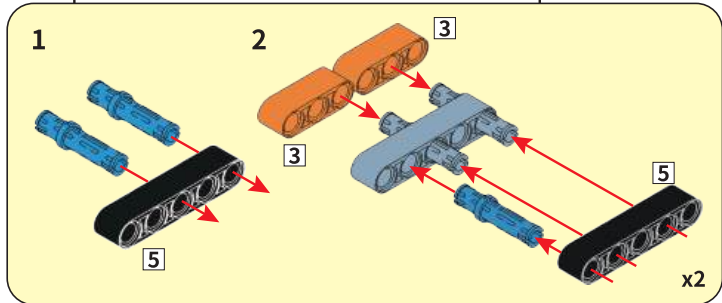
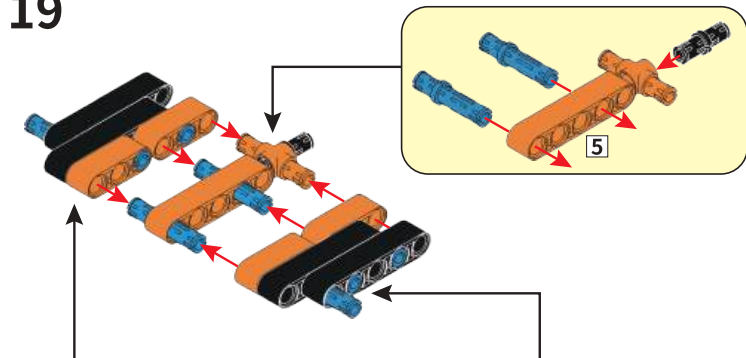


18

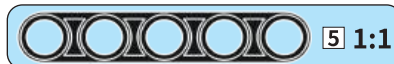
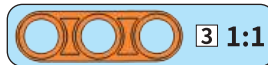
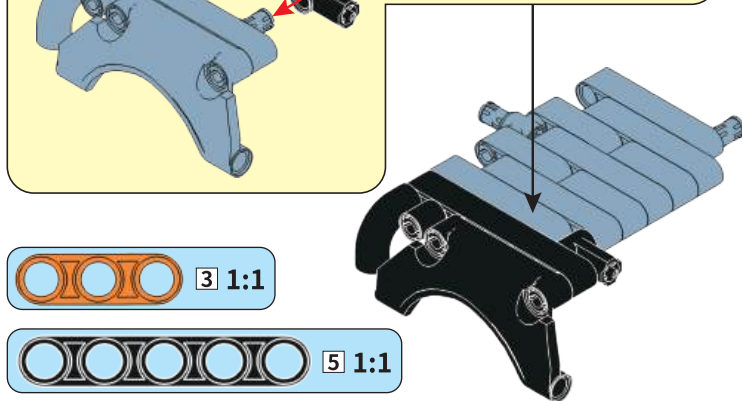
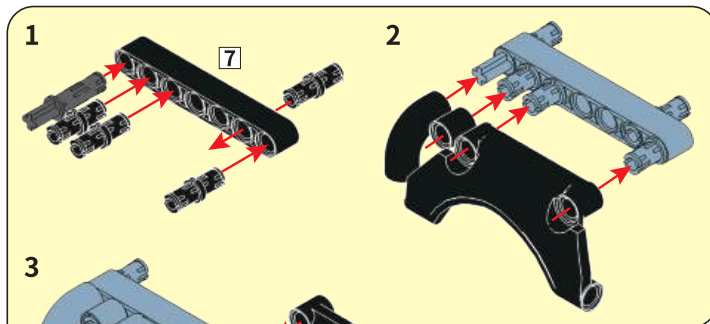


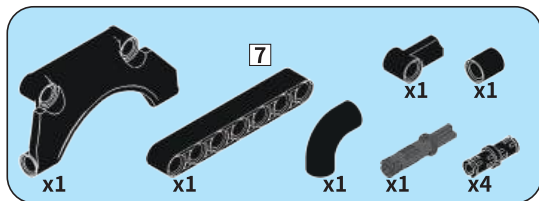


19

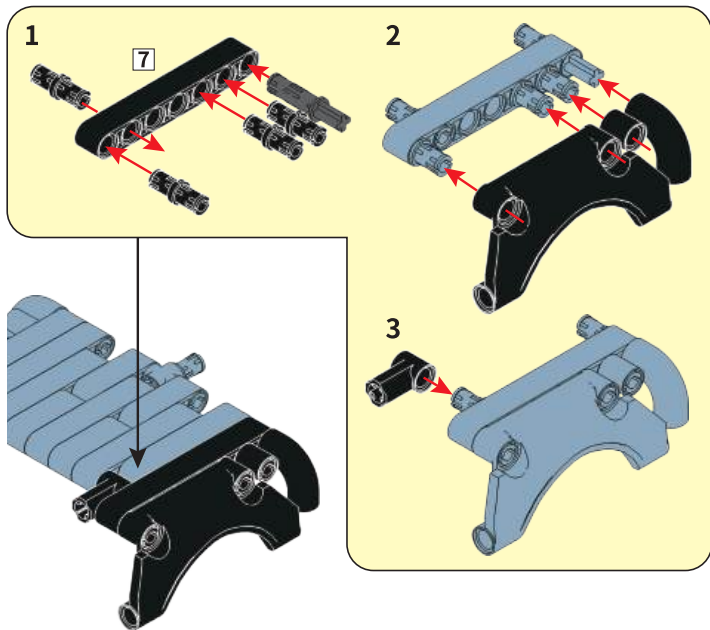


20

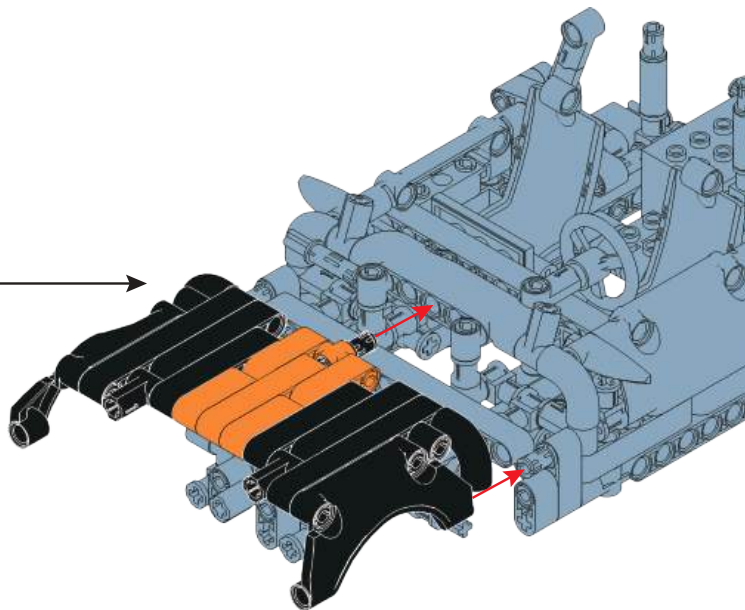


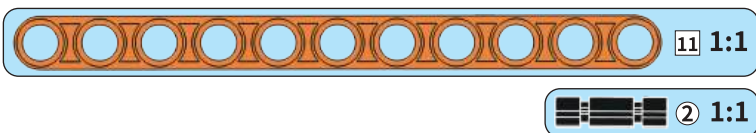
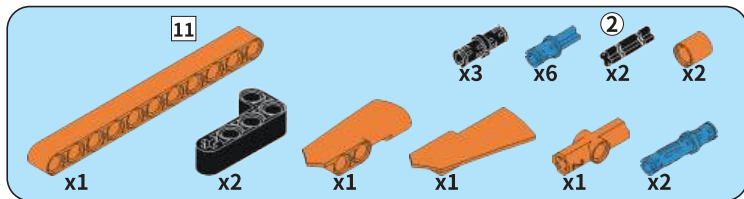


21

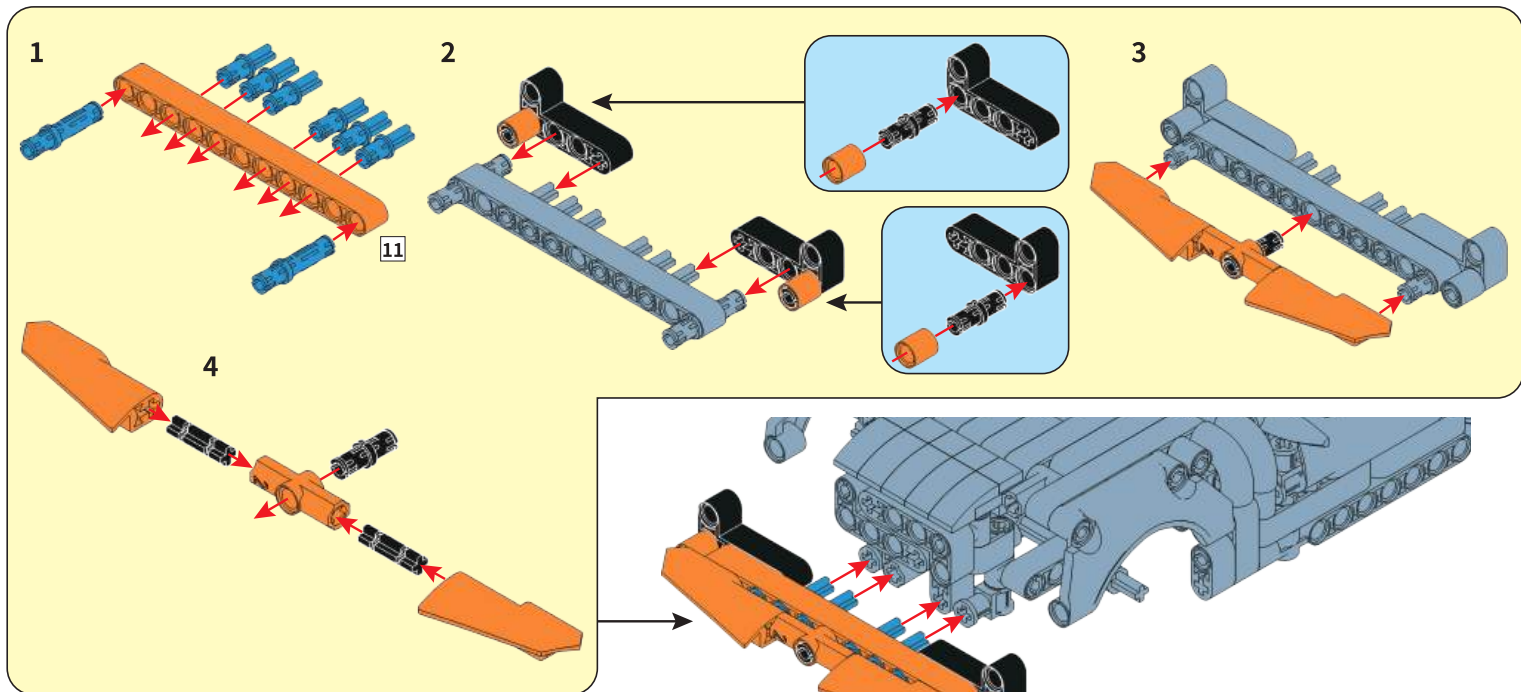


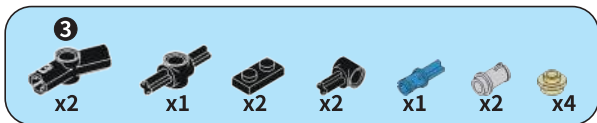
22



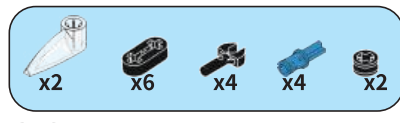
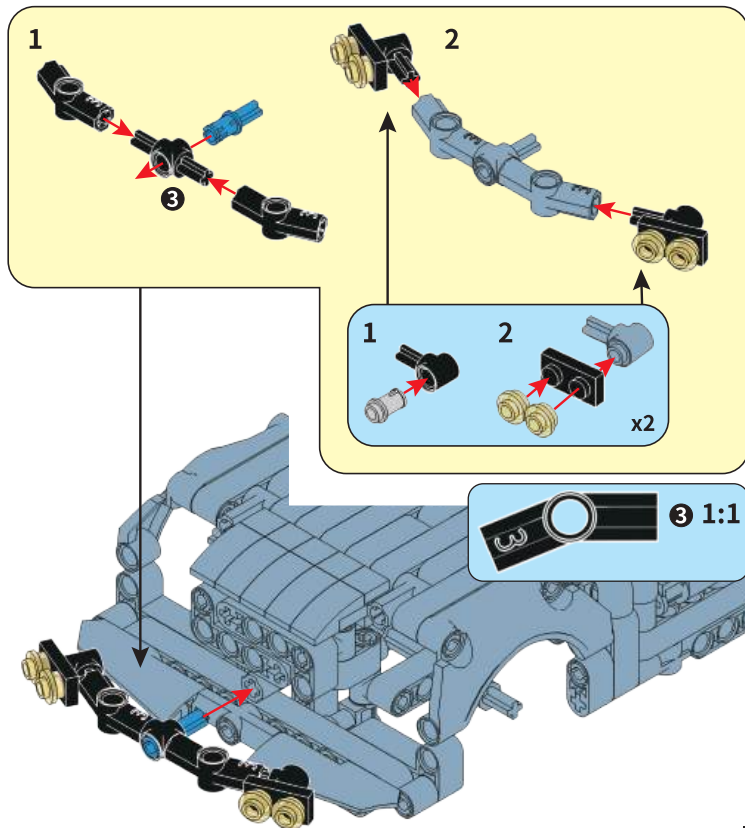


24

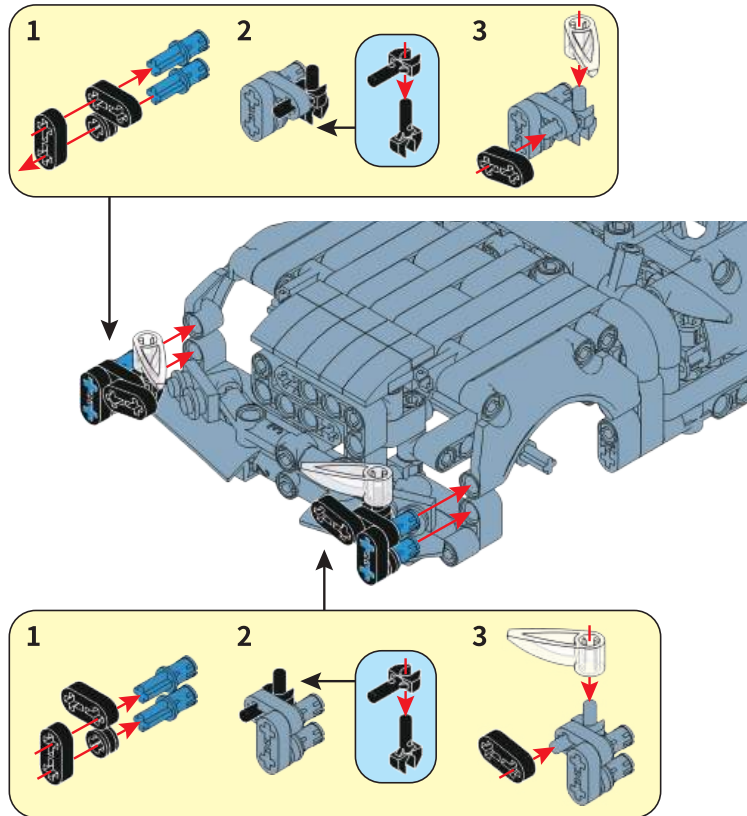




25

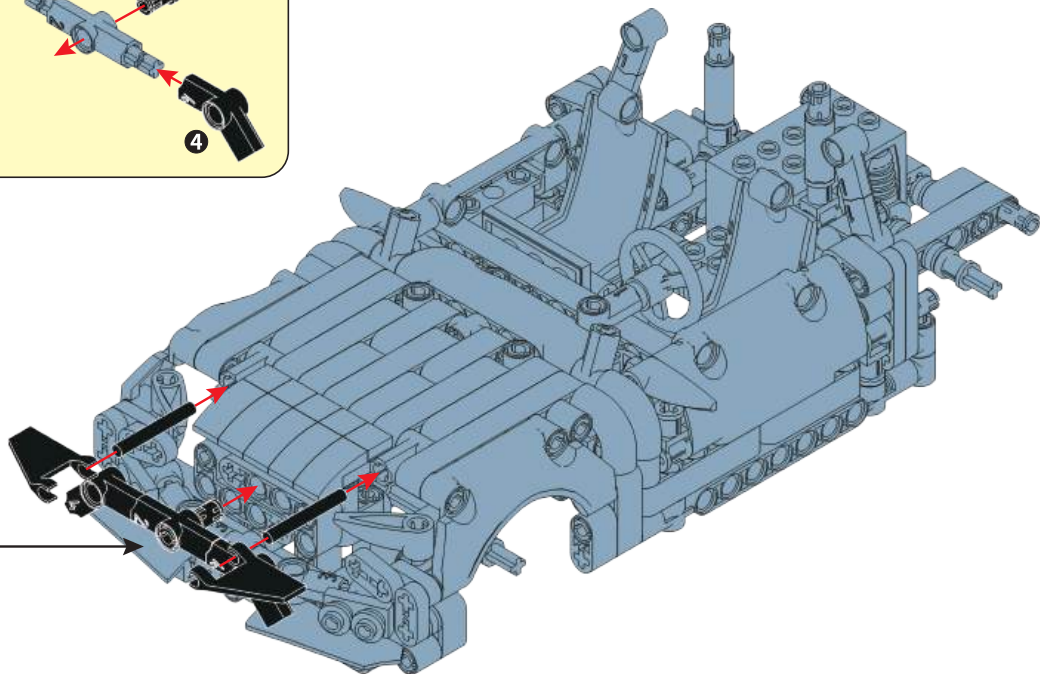
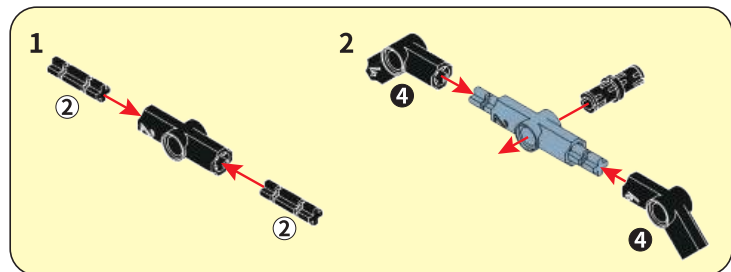


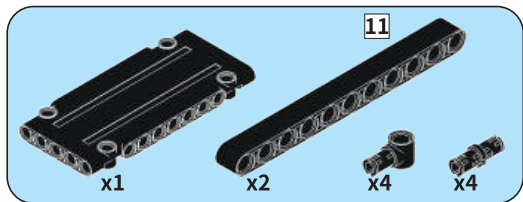
26



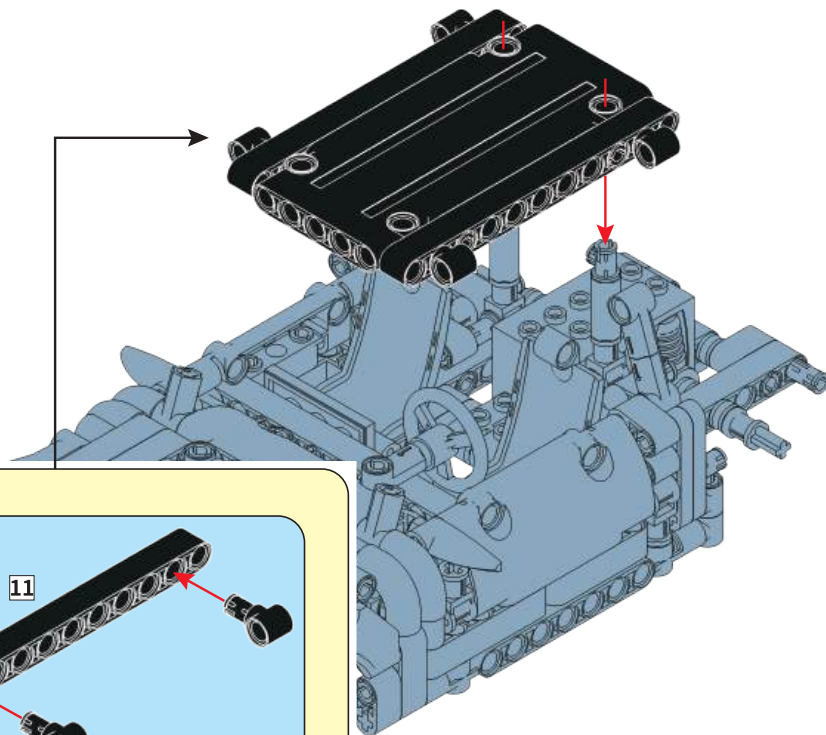
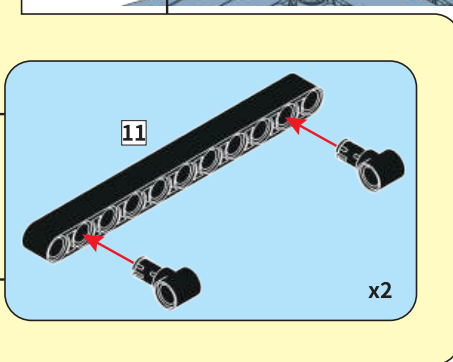
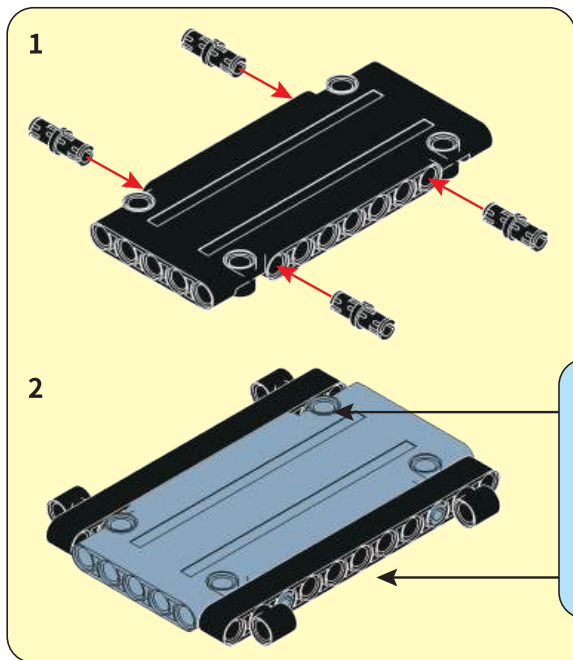


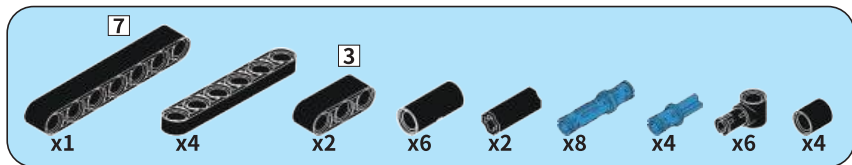
27



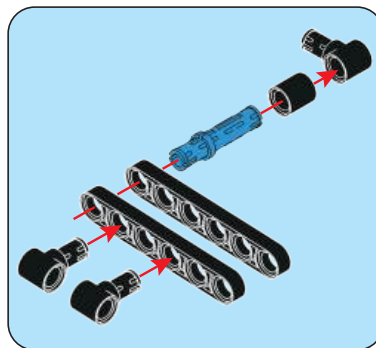
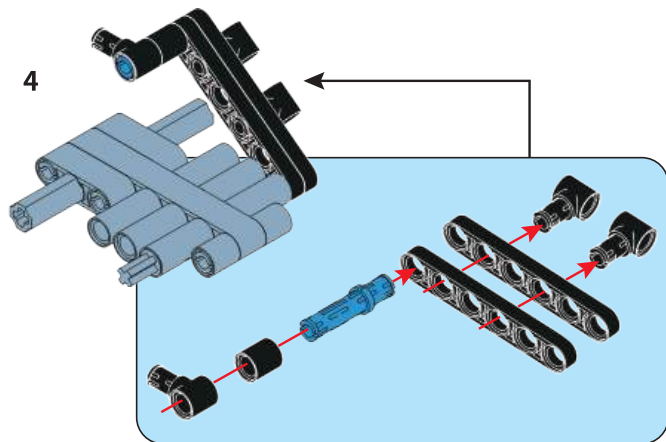
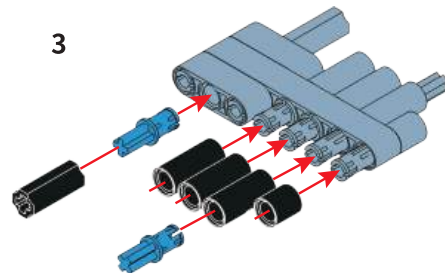
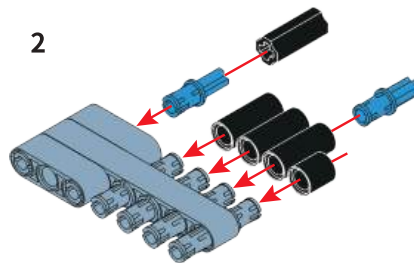
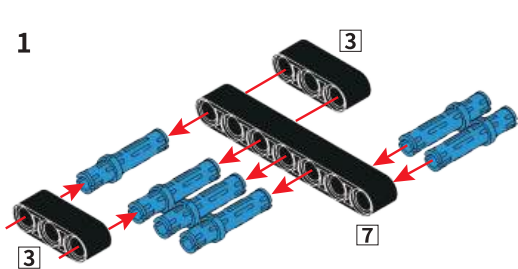


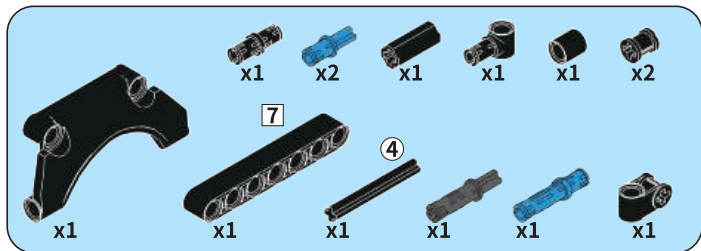
28





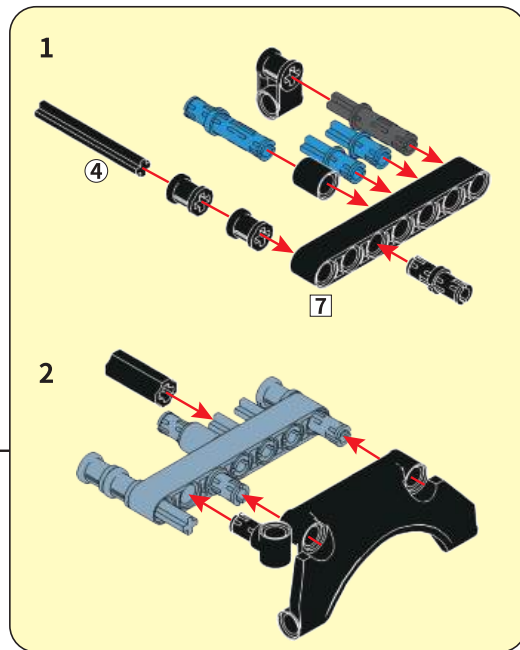
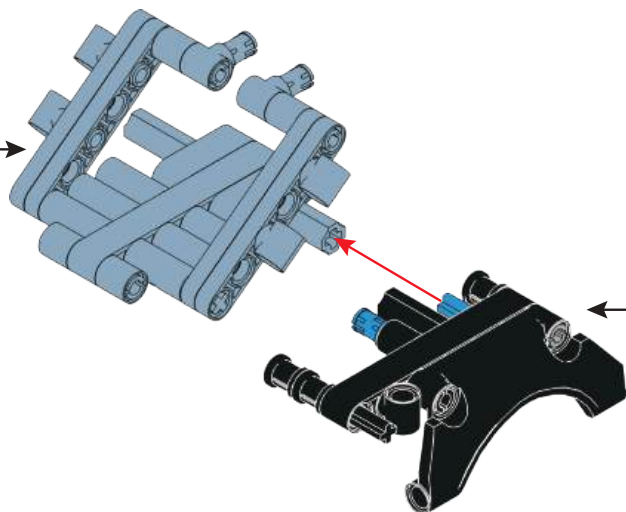
29



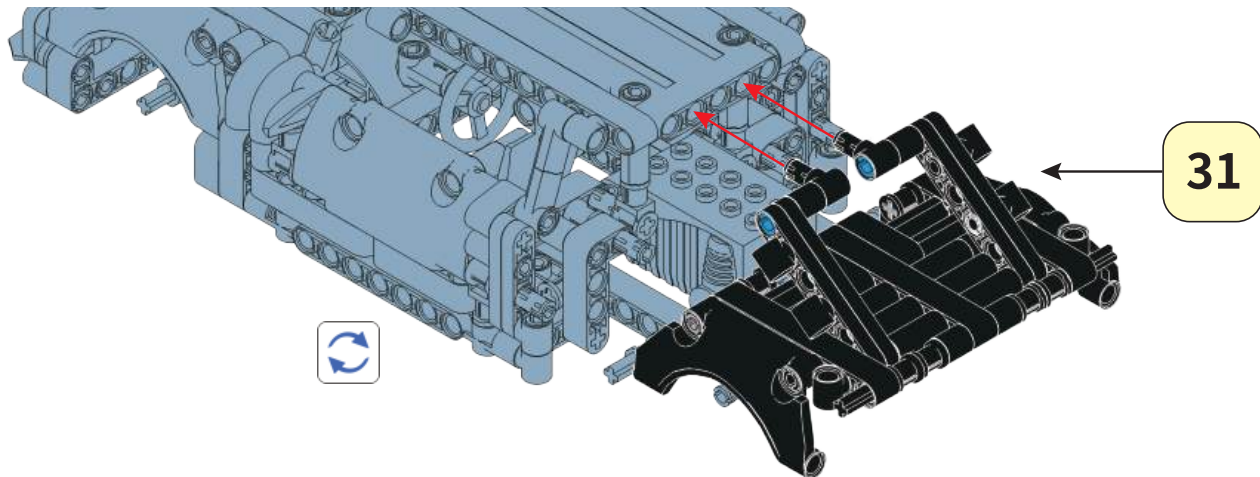


30

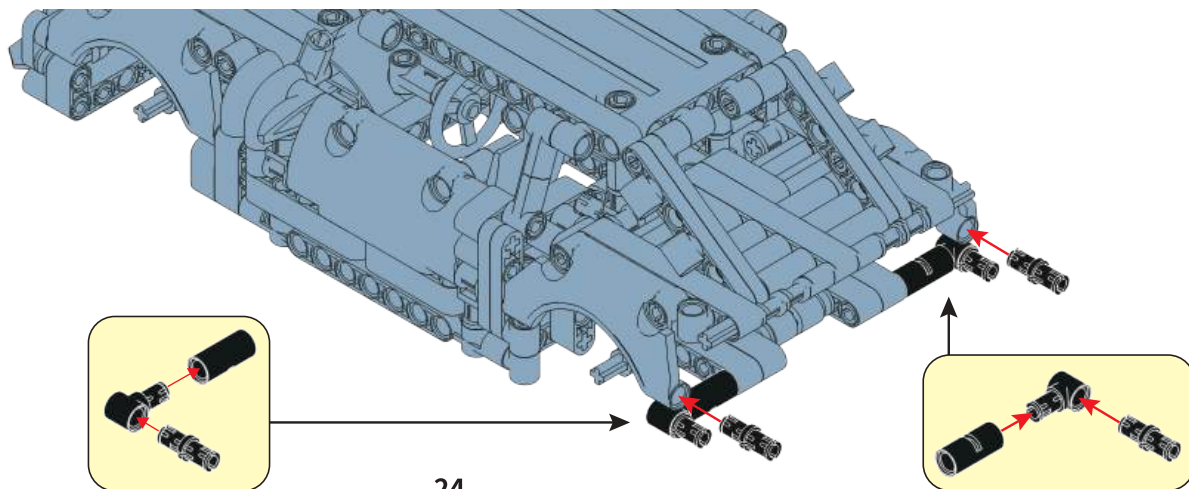
29

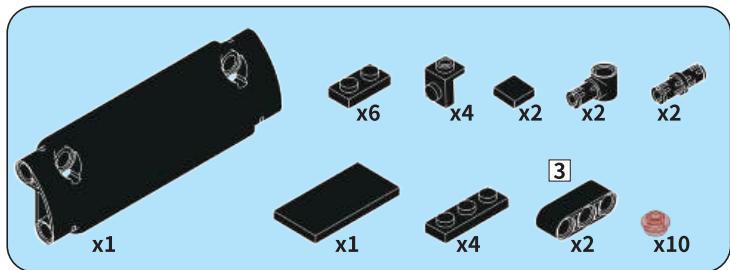


32

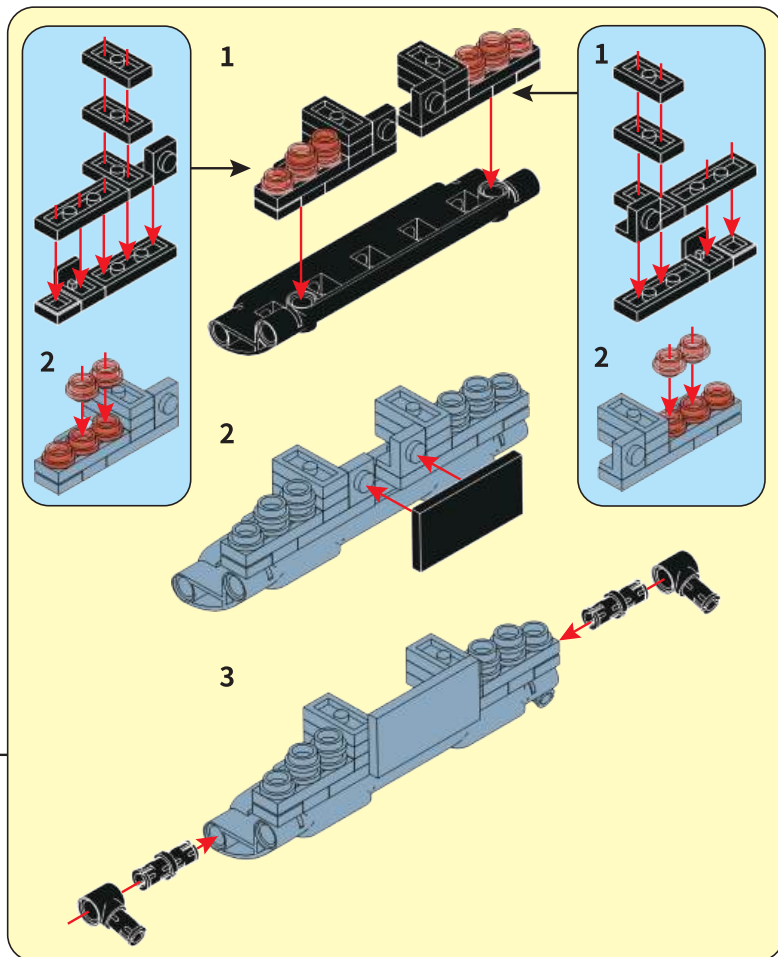
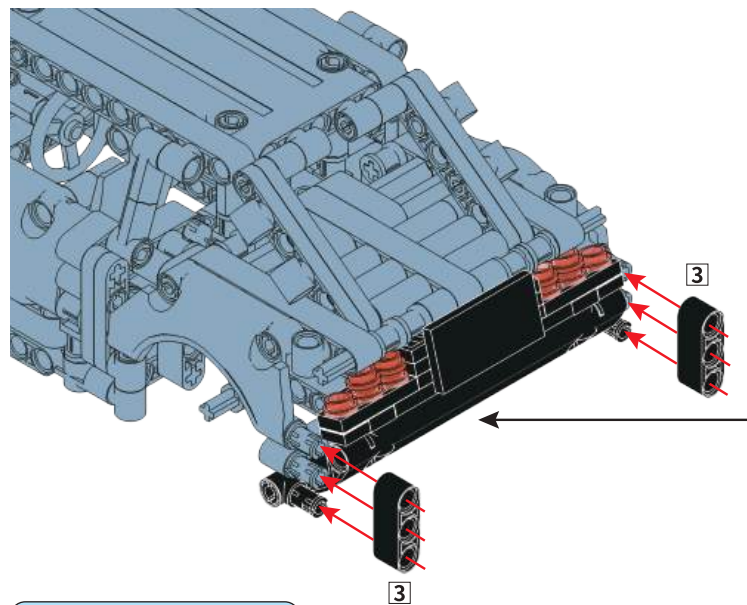


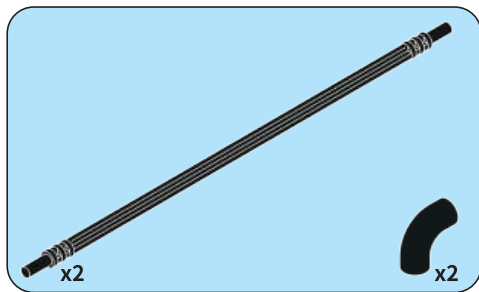
33



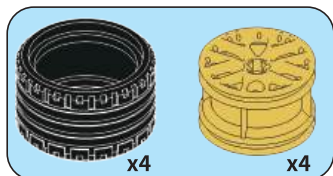
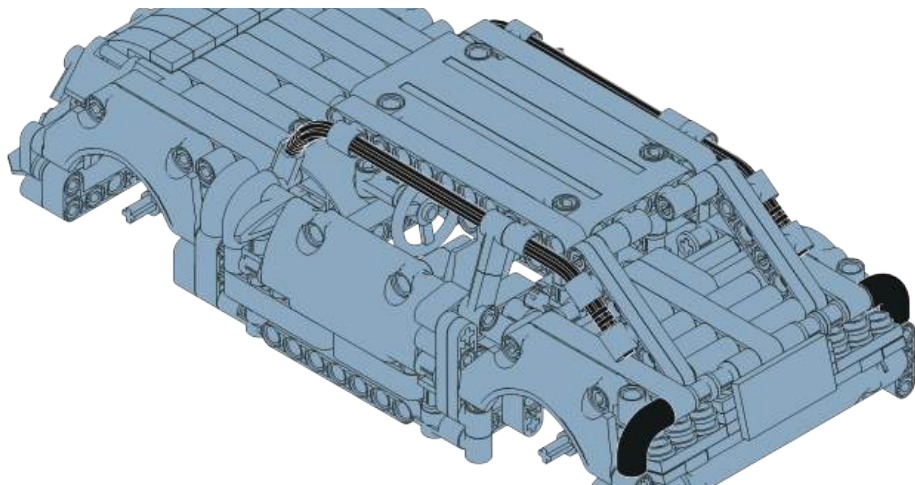


34

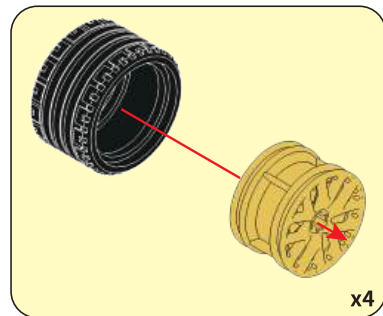
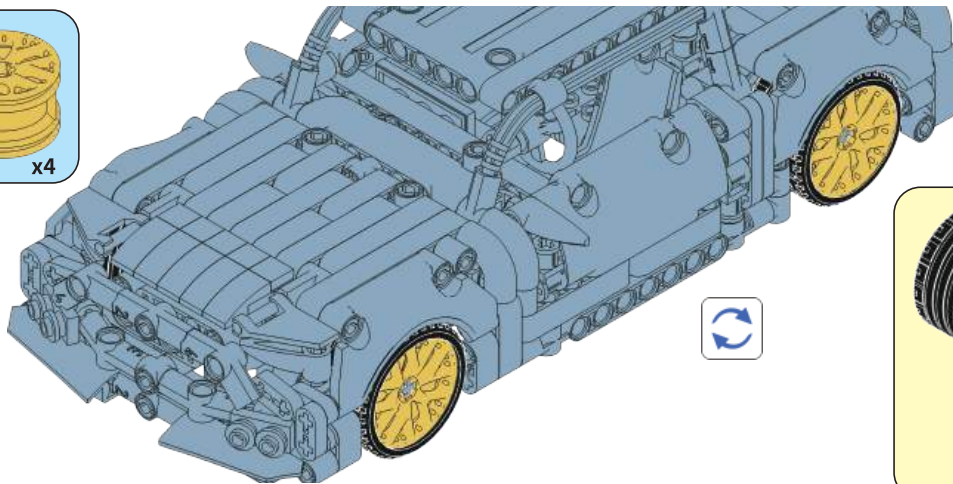


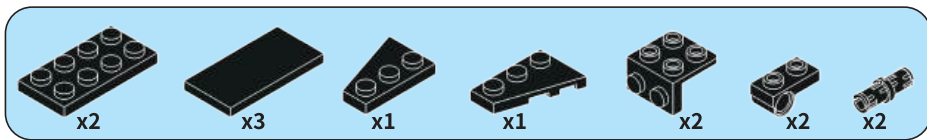


35

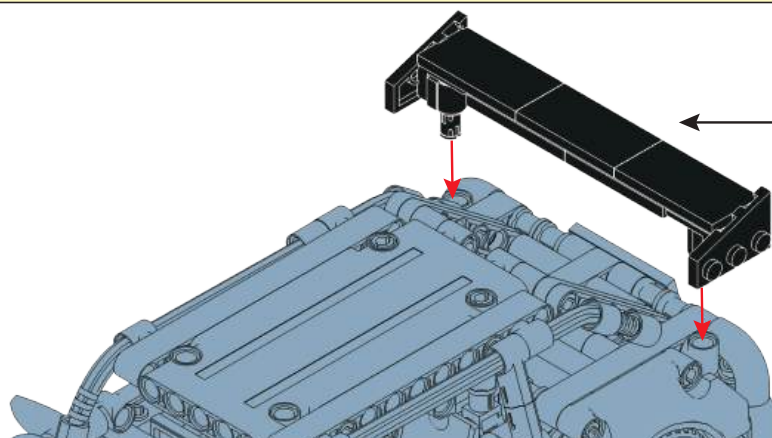
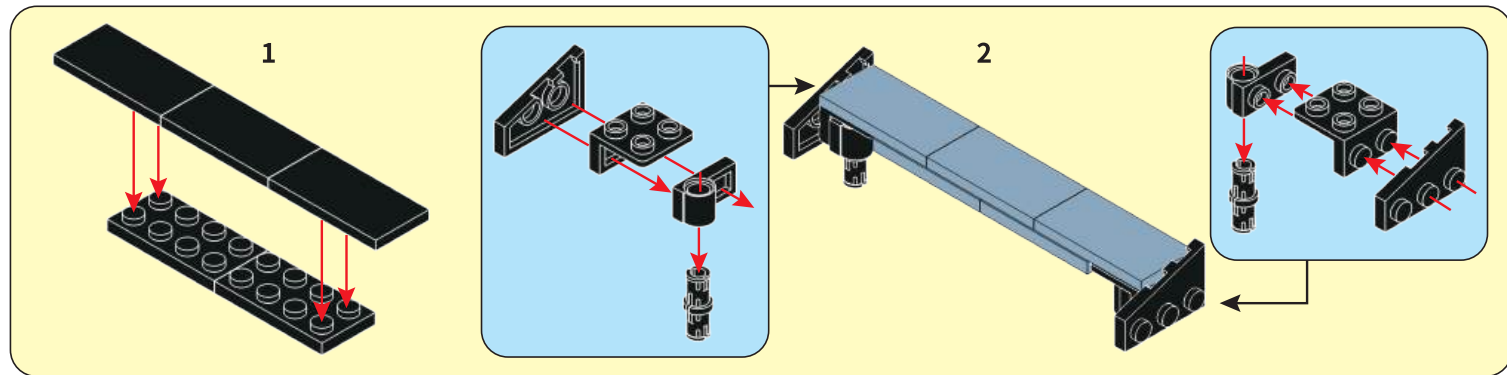


36





37





MACHINE PLAYER



Realistic model



Quick and powerful rebound